

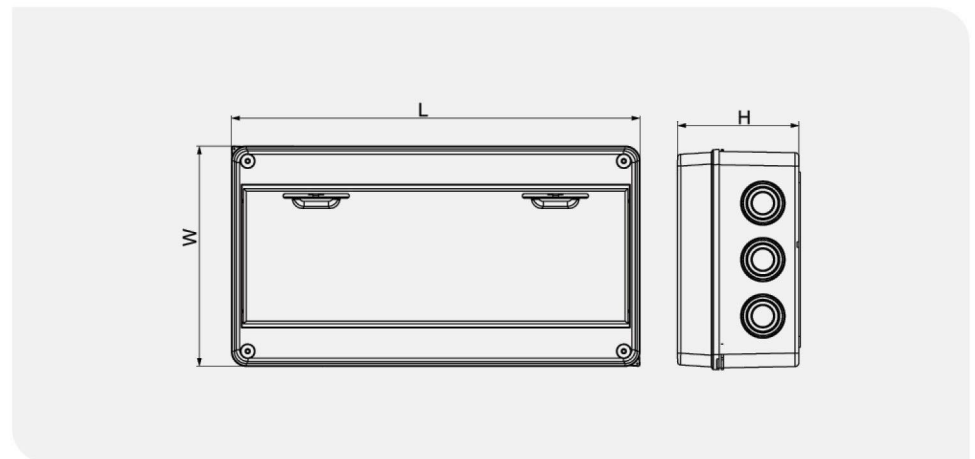
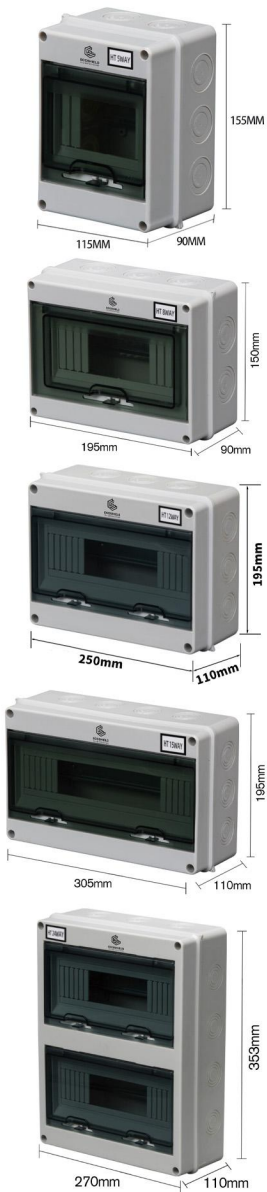
General

ESHT Series lighting box is in line with IEC-493-1 standard, attractive and durable, safe and reliable, which is widely used in various places such as factory, mansion, residence, shopping center and so on.

Structural Characteristics

- Panel is the ABS material for the engineering, high strength, never change color, the transparent material is PC.
- Cover push-type opening and closing Face covering of the distribution box adopts the push-type opening and closing mode, the face mask can be opened by pressing lightly, the self-locking positioning hinge structure is provided when opening.
- Wiring design of the power distribution box The guide rail support plate can be lifted to the highest movable point, it is no longer limited by the narrow space when installing the wire. To install easily, the switch of the distribution box is set up with the wire groove and wire pipe exit-holes, which are easy to use for a variety of wire grooves and wire pipes.

Dimensions



Model	Product's size(mm)	No.of breaker(pole)	Net Weight(kg.)
ESHT-2	50*116*95	2	0.15
ESHT-3	80*160*95	5	0.3
ESHT-5	115*155*90	5	0.34
ESHT-8	195*150*90	8	0.53
ESHT-12	250*195*110	12	0.84
ESHT-15	305*195*110	15	0.9
ESHT-18	360*195*110	18	1.07
ESHT-24	270*353*110	24	1.35